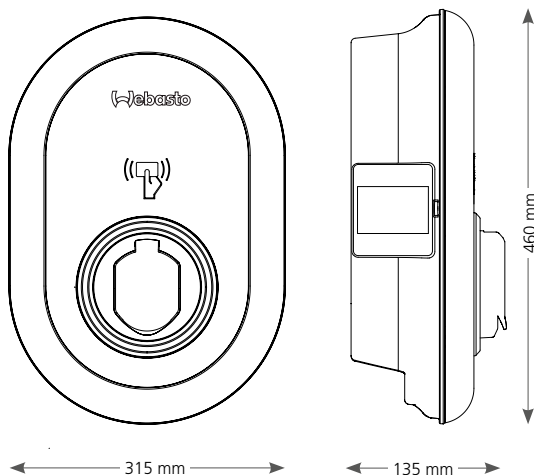


Webasto Unite MID 4G

Incl. Webasto ChargeConnect



The Webasto Unite MID 4G boasts the following features:

- Scalable charging capacity up to 22 kW
- Charging socket (type 2) for charging cable
- Digital management and remote control with Webasto ChargeConnect (access via portal and app)
- Always online thanks to 24/7 real-time transmission of the wallbox data to Webasto ChargeConnect
- Authentication using RFID technology or Webasto ChargeConnect App
- Interface for Energy Management System (EMS) integration via Modbus TCP¹⁾
- Integrated local dynamic load management²⁾ for up to 32 charging points
- Integrated MID-compliant meter allows billing and refund of charging processes
- Meter window for easy reading of energy meter values
- Robust, high-quality housing meeting the Webasto quality and safety standards
- Cost savings at installation due to DC residual current protection
- Secured network stability by network operator using a ripple control receiver
- User friendly configuration using an integrated configuration hotspot and Webasto Charger Setup App or configuration interface for installers
- Cellular connectivity ready on board via micro SIM card³⁾

¹⁾ Compatible EMS: see compatibility list on our website.

²⁾ Compatible smart meter: see compatibility list on our website.

³⁾ Micro SIM card slot included. SIM card not included.

Technical specifications	
Electrical characteristics	
Nominal current (A) (configurable connected load values)	Up to 32 Single phase or 3-phase 10, 13, 16, 20, 25, 30, 32 A (configurable via DIP-switches) or in 1 A steps (via integrated WebUI or Webasto Charger Setup App)
Line voltage (V AC)	230/400 (Europe)
Grid frequency (Hz)	50/60
Grid forms	TT/TN/IT (single phase and 3-phase) Other supply networks e.g. Splitphase (L1+L2, without N, 230 V nominal)
EMC class	Emitted interference: class B (residential, business, commercial areas) Immunity: residential, business, commercial and industrial areas
Overvoltage category	III as per EN 60664
Protection class	I
Necessary protective equipment	Residual current circuit breaker RCD type A and miniature circuit breakers must be provided on the installation side
Integrated protective equipment	≥6 mA DC residual current protection
Integrated Energy Meter	MID conformal Class B (1%) energy meter according to EN50470-1/3
Welded relais detection	230 V contact to trigger an external shunt trip
Connections	
Mounting	Wall and pole mounting (permanently connected)
Cable feed	Mounted on-wall or in-wall
Connection cross-section (wire dimension)	Cross-section of the connecting cable (Cu) taking into account the local conditions and norms: – rigid (min. – max.) 2.5 – 10 mm ² ; – flexible (min. – max.) 2.5 – 10 mm ² – flexible (min. – max.) with wire end ferrules: 2.5 – 10 mm ²
Charging Outlet	IEC 62196 Type-2 socket outlet without shutter (5112415A)
Output voltage (V AC)	230/400
Max. charging capacity (kW)	7.4 (1-phase operation) 22 (3-phase operation)
Communication & features	
Backend	Webasto ChargeConnect
Authentication	– “Scan & Charge” via QR code – Webasto ChargeConnect Portal – Webasto ChargeConnect App – RFID reader (ISO 14443 A/B and ISO 15693)
Display	RGB-LED, meter display window
Network interfaces	– LAN (RJ45) – 10/100 Mbps – WiFi 802.11a/b/g/n/ac – 2,4 GHz and 5 GHz – Cellular ³⁾ (only 5112415A) : LTE: B1 (2100 MHz), B3 (1800 MHz), B7 (2600 MHz), B8 (900 MHz), B20 (800 MHz), B28A (700 MHz) WCDMA: B1 (2100 MHz), B8 (900 MHz), GSM: B3 (1800 MHz), B8 (900 MHz)
Communication protocols	OCPP 1.6 J (OCPP 2.0 ready), Modbus TCP (EMS) ¹⁾ , Modbus RTU (smart meter) ²⁾
External interfaces	– Addressable via ripple control receiver through dry contacts – Integration into Energy Management Systems (EMS) via Modbus TCP ¹⁾ – Contact for welded relay protection – RS485 interface for external smart meters ²⁾
Local load management	– Dynamic (stand-alone) via integration of a compatible external smart meter ²⁾ – Dynamic (cluster with up to 32 charging points) via integration of a compatible external smart meter ²⁾ – Static (cluster with up to 32 charging points)
Mechanical data	
Dimensions (W x H x D) (mm)	315 x 460 x 135
Weight (kg)	5
IP protection class, device	IP54
Protection against mechanical impact	IK10 (Display: IK08)
Ambient conditions	
Installation site	No direct solar radiation
Operating temperature range (°C)	-35 to +55
Temperature behavior	A reduction in charging current or shutdown may occur in order to prevent the charging station overheating.
Storage temperature range (°C)	-40 to +80
Permissible relative humidity (%)	5 to 95 non-condensing
Altitude (m)	Max. 4.000 above sea level
Certification compatibility	
Standards and guidelines	– CE conformity – 2014/53/EU Radio Equipment Directive – 2011/65/EU RoHS Directive – 2012/19/EU Waste Electrical and Electronic Equipment Directive – 1907/2006 REACH Regulation